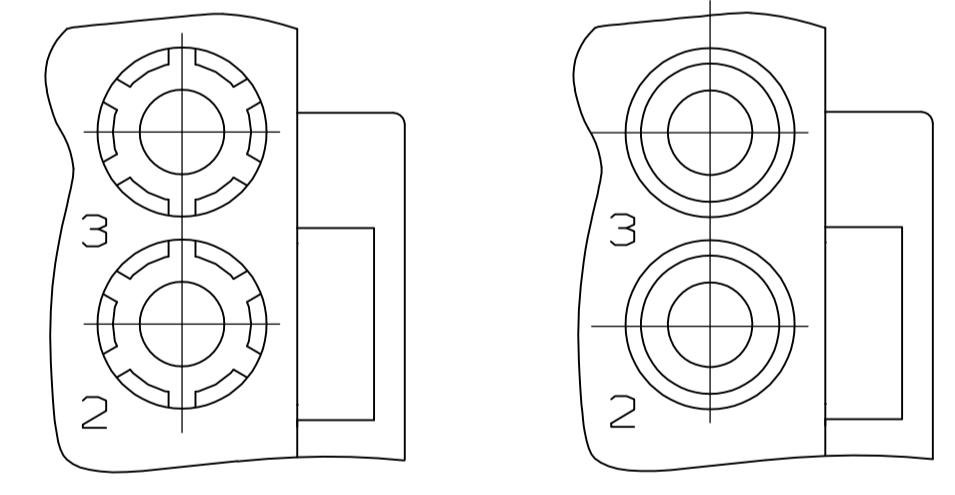
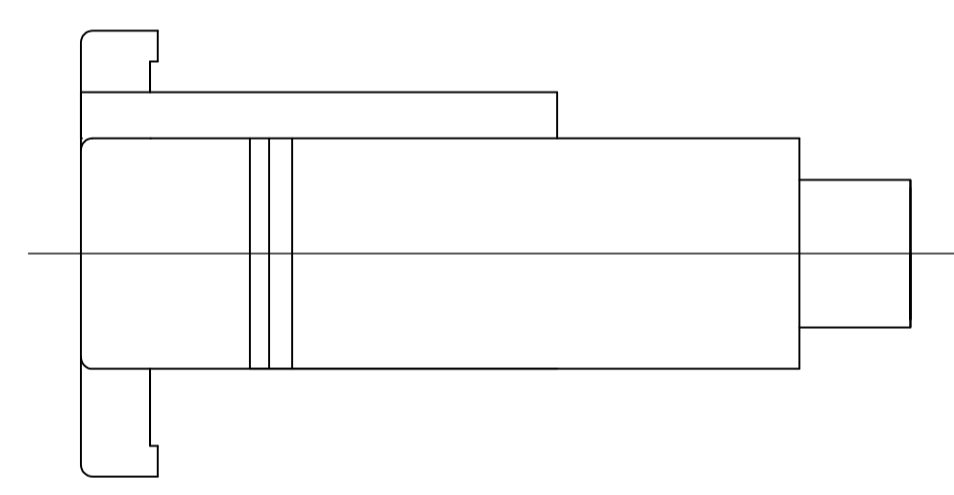
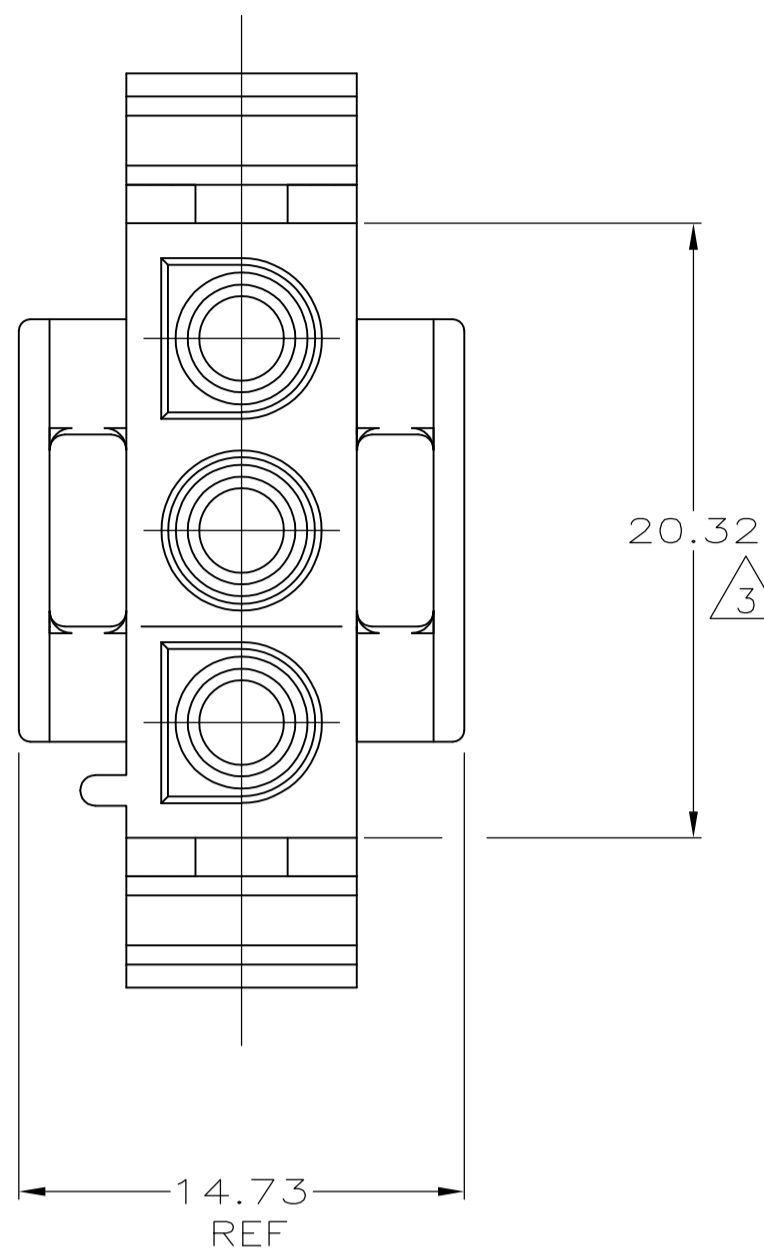
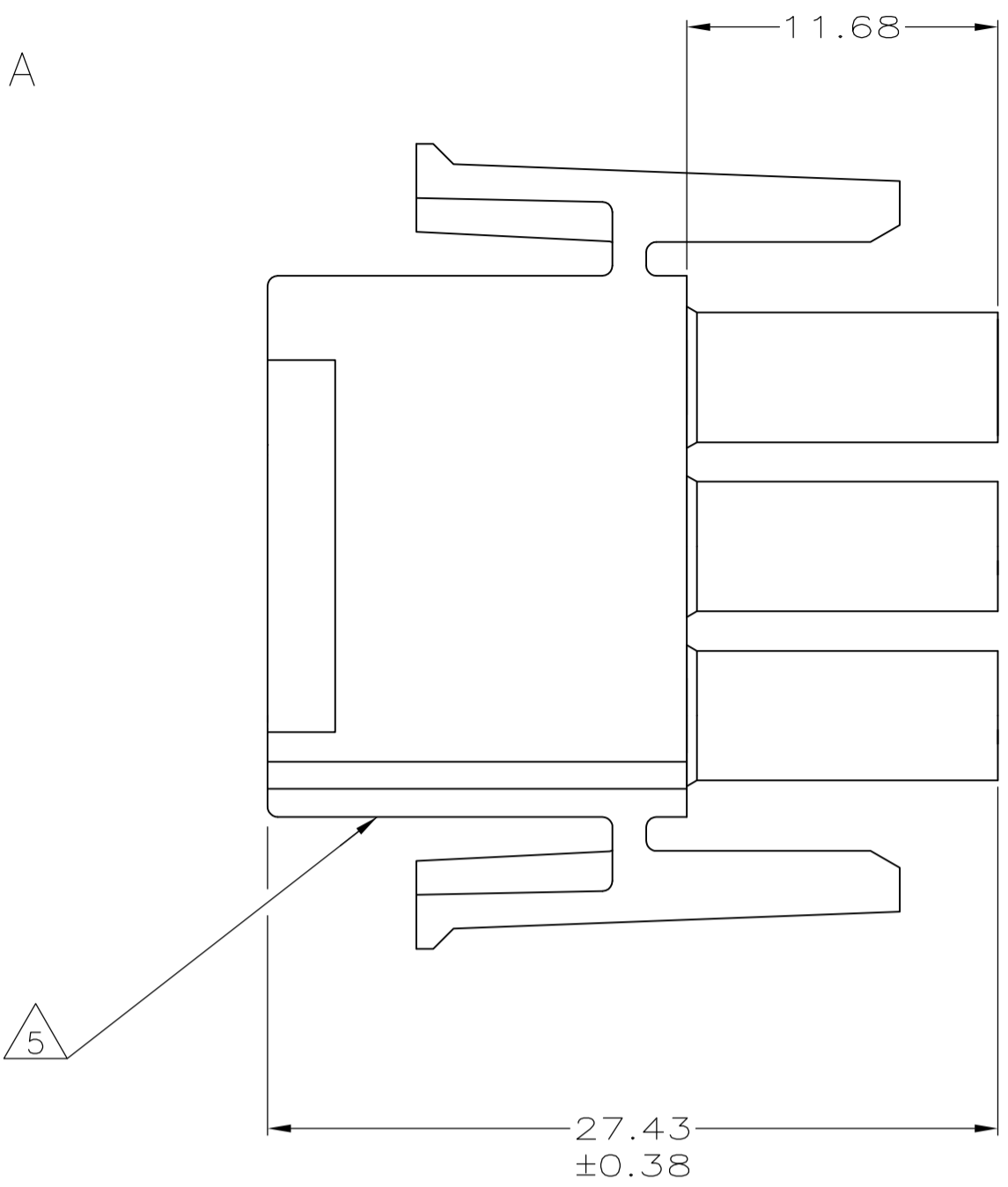
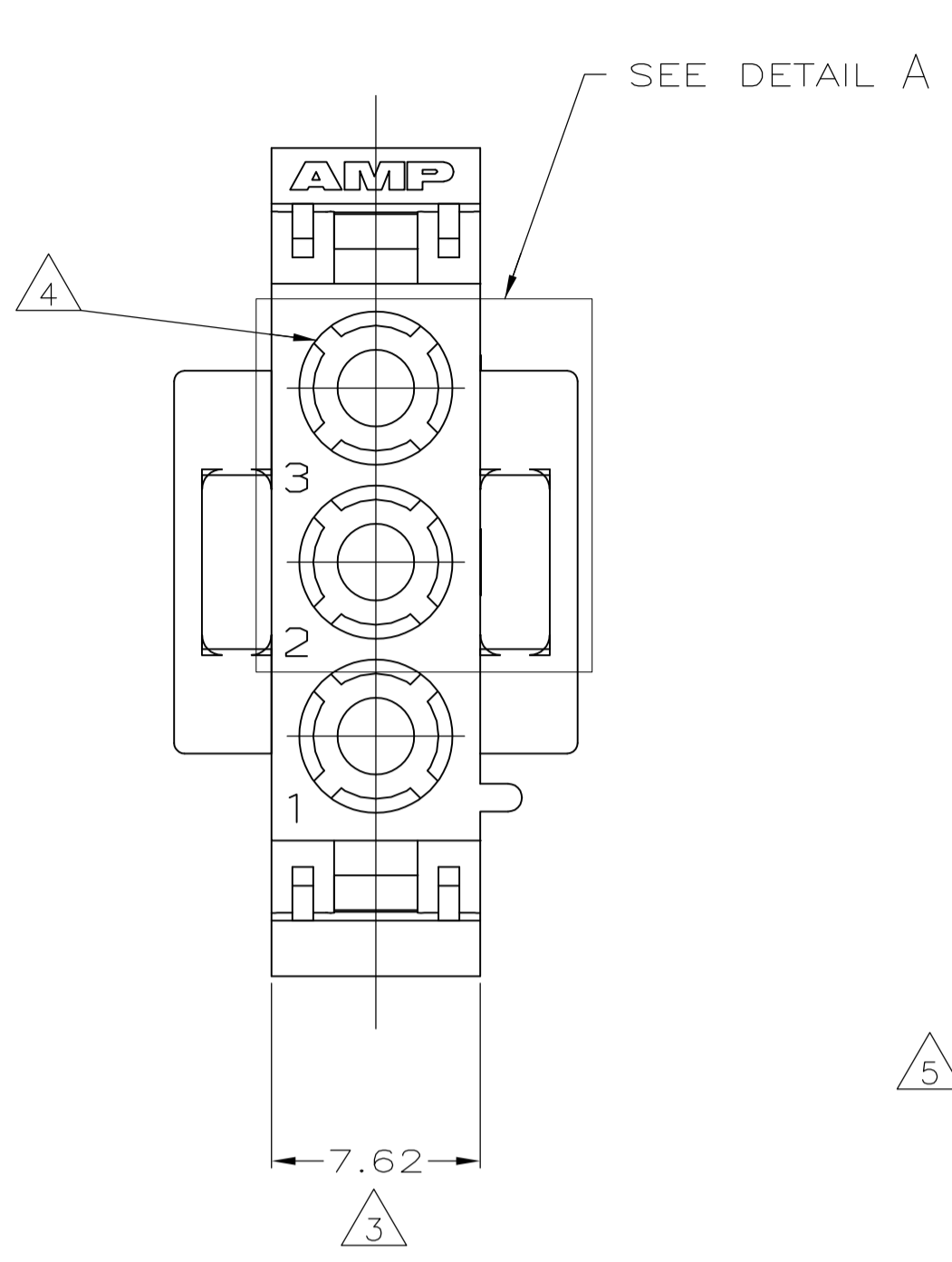


LOC		DIST		REVISIONS			
P	LTR	DESCRIPTION	DATE	DMN	APVD		
A1		REVISED PER ECO-08-022511	12SEP08	HMR	DC		

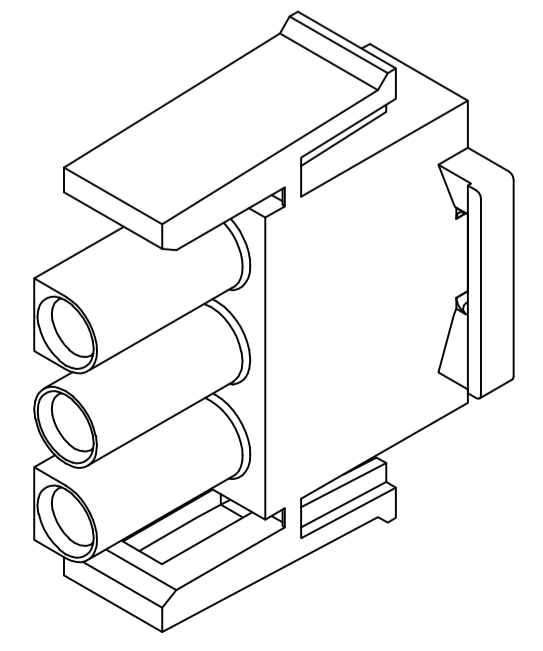


DETAIL A
OPTIONAL CONSTRUCTION

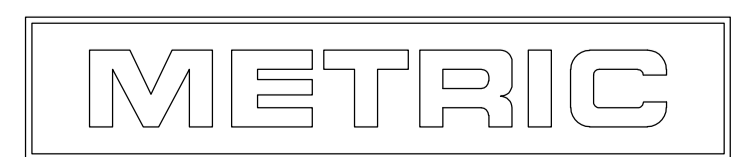
- 1 MATES WITH APPROPRIATE UNIVERSAL MATE-N-LOK™CAP OR HEADER.
- 2 SMALL NICKS ARE PERMITTED ON THE CIRCUIT TOWERS WHICH COULD INCREASE THE INITIAL HOUSING MATING FORCE BY UP TO 4.4 NEWTONS [1.0 LBS]. NO INDIVIDUAL NICKED TOWER SHALL INCREASE THIS FORCE BY OVER 2.2 NEWTONS [.5 LBS].
- 3 DIMENSION INDICATED IS AS MOLDED. ADDITIONAL GROWTH DUE TO SUBSEQUENT MOISTURE ABSORPTION MAY OCCUR.
- 4 FOUR RIBS EQUALLY SPACED, NO SPECIFIC ORIENTATION. NO RIBS OR SIX RIBS EQUALLY SPACED, NO SPECIFIC ORIENTATION, OPTIONAL.
- 5 UNDERWRITERS RECOGNIZED COMPONENT LOGO AND CSA CERTIFICATION LOGO TO BE LOCATED ONCE EACH ON SIDE OF HOUSING.
- 6 150° C TEMPERATURE RATING FOR THIS HOUSING IS FOR SHORT TERM DURATION. MAX OPERATING TEMPERATURE REMAINS 125° C.
- 7 PHOSPHOR BRONZE CONTACTS SHOULD ALWAYS BE USED WITH THIS HOUSING.

MM	IN
27.43	1.080
20.32	.800
14.73	.580
11.68	.460
7.62	.300
0.38	.015
0.13	.005

CONVERSION TABLE



3-DIMENSIONAL MODEL
NTS



BLACK	794901-1
COLOR	PART NUMBER

THIS DRAWING IS A CONTROLLED DOCUMENT.

DIMENSIONS: mm [INCHES]	TOLERANCES UNLESS OTHERWISE SPECIFIED: 0. PLC ± - 1. PLC ± - 2. PLC ± 0.13[.005] 3. PLC ± - 4. PLC ± - ANGLES ± 0° 30'	FINISH -	MATERIAL NYLON, UL 94V-2, HIGH TEMP
----------------------------	--	----------	-------------------------------------

APVD S. RIDGILL	15-MAY-2001	NAME	Tyco Electronics Corporation Harrisburg, PA 17105-3608
PRODUCT SPEC		SIZE	A1
APPLICATION SPEC		WEIGHT	
		CUSTOMER DRAWING	

PLUG,
3 CIRCUIT,
UNIVERSAL MATE-N-LOK™

SCALE 4:1 SHEET 1 OF 1 REV A1